

PRECISECOLOR COLORING METERING



 **transitube**®

PRECISECOLOR OPERATING SCHEMATIC

The PreciseColor series of TRANSITUBE color concentrate metering units is linked directly to the injection machine's cycles.

The exact quantity of concentrate or pelletized additive is metered in at each cycle and descends to the plasticating screw. Any preblending of virgin material is totally eliminated.

Several PreciseColor models with different installation possibilities are available :

T M A : The PreciseColor is mounted directly on the existing machine hopper and the color falls through a flexible tube to the injecting screw.

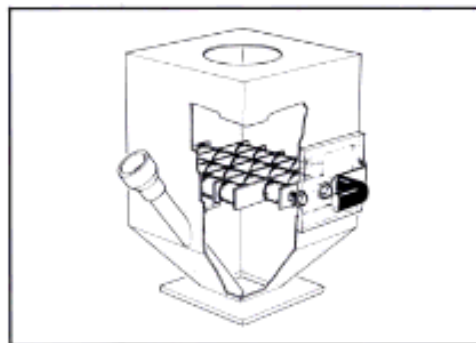
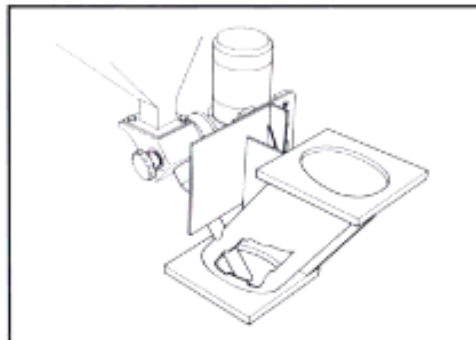
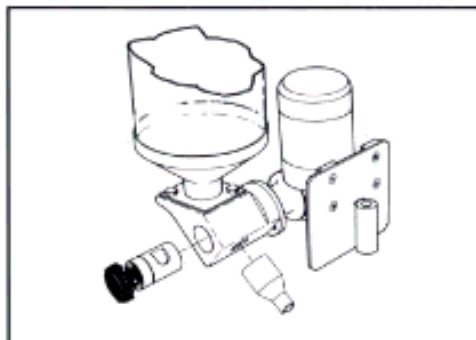
T P O : The PreciseColor is mounted on a mini-hopper model TPO which is placed directly on the feed throat. The TPO mini-hopper can be fed with virgin material with a TRANSITUBE spiral or vacuum feeder.

T C H : The PreciseColor is mounted between the feed throat and the machine hopper with a model TCH intermediate pipe.

T M L : For small machines, the PreciseColor is mounted on a mixer that has capacity of about 1 lt (approx. 4-5 lbs) and mounts directly on the feed throat. This integrated mixer provides a perfect homogeneity of the mixed products regardless of the small outputs.

T K L : The PreciseColor is equipped with an epoxy-coated steel hopper with a capacity of 10 liters (approx. 40 lbs).

- Quick clean-out and emptying for all models.
- Instant disconnect for moving to another machine.



STANDARD EQUIPMENT

- Coloring bin, 4 lt (15 lbs) capacity
- D.C variable speed drive
- Forward mount rotor shaft
- Grooved wheel
- Torque coupling
- Quick-disconnect knob
- Metering block
- Color descent tube

ELECTRICAL PANEL :

- Electronic digital timer
- Digital potentiometer
- Automatic/Test switch
- Power light
- Quick disconnect plug.

PRECISECOLOR

- Color bin capacity 4 lt (15 lbs)
- Unit weight 7,5 kgs (17 lbs)
- Mini output 12 gr/min
- Max output 300 gr/min
- Accuracy + or - 1%
- Indicated output based on bulk density of 0,7 kg/lt (44 lbs./cu.ft.).

TPO BIN

- Capacity 10 lt (40 lbs)
- Bin weight 8,5 kgs (19 lbs)
- Dimensions L x l 200 x 200 (8 x 8 in)
H 350 mm (14 in)

TKL BIN

- Color bin capacity 10 lt (40 lbs)
- Metering unit weight 12 kgs (26 lbs)
- Dimensions L x l 200 x 250 (8 x 10 in)
H 350 mm (14 in)

OPTIONS

- Various output ranges by changing the number of grooves on metering wheel
- Unit activated with either a magnetic or micro-contact switch.
- TPO bin with larger 20 lt (80 lbs) capacity.
- The EXTRUSION model does not include the digital electronic timer. The unit can be linked directly to the extruder screw using a tach-feed-back.

transitube
improves your productivity

TRANSITUBE reserves the right to modify the machinery described in this brochure

TIM SA
Export & Manufacturing Departments
Techniques Industrielles de Manutention
ZAC du Griffon
Quartier de la Bastide Blanche
13127 VITROLLES
Tél.: 42 89 65 09/Fax : 42 89 04 25/Telex 400 642